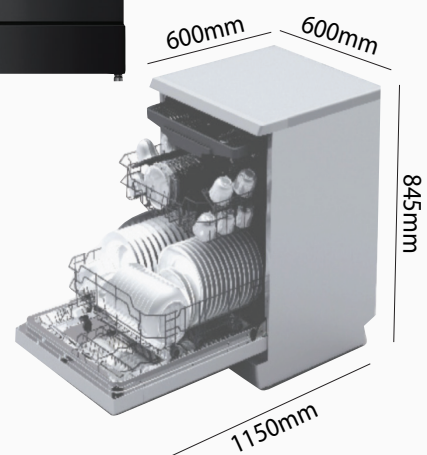


Our latest addition. Inspiring designs for New Zealand Kitchens.

600MM, FREESTANDING DISHWASHER, LED DISPLAY - BLACK PD6-PBL

- 15 Place Setting
- 6 Programmes
- Electronic, easy to use controls
- LED Display • Third Layer Tray
- Half Load Option, Top or Bottom
- Delayed start option
- Child Lock
- Flood Safety Protection
- Water Rating: 5 Star (12.2L)
- Energy Rating: 4 Star (239kWh)
- Noise: 49dB
- Special Feature: Dry Plus Function



Impressive 7 Year Warranty

Note: 7 year warranty is for domestic use only.
For more information visit www.parmco.co.nz

AVAILABLE NOW

Ask your local Parmco representative for pricing.

PARMCO

Inspiring kitchens, entertaining homes